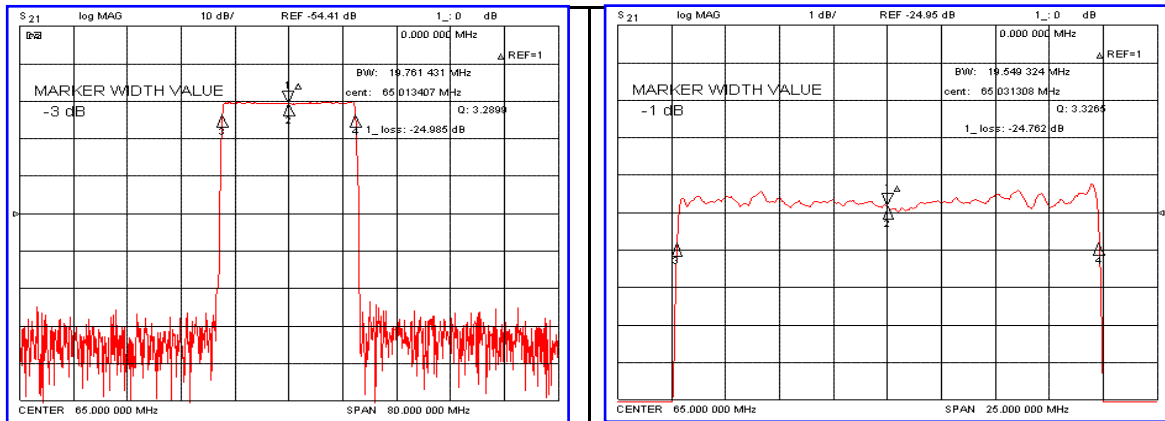


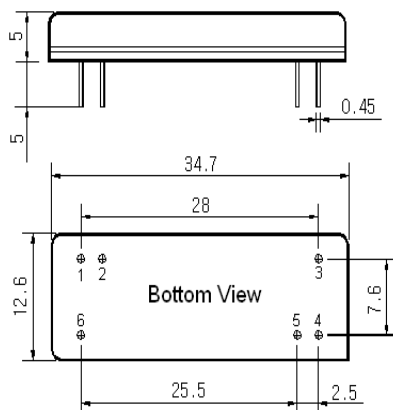
### Typical Performance



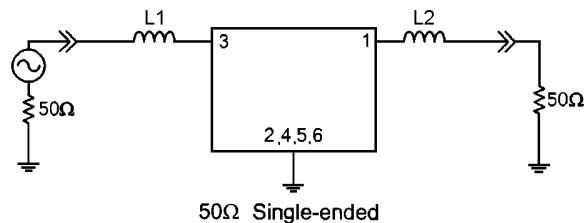
### Specification

Parameter	Unit	Min.	Typ.	Max.
Center Frequency (fo)	MHz	64.92	65.00	60.08
Insertion Loss	dB	-	25.00	26.50
1dB Bandwidth	MHz	-	19.55	-
3dB Bandwidth	MHz	19.60	19.76	-
40dB Bandwidth	MHz	-	20.75	20.85
Passband Ripple (fo $\pm$ 9.735MHz)	dB	-	0.60	1.00
Group Delay Variation (fo $\pm$ 9.735MHz)	nsec	-	44	120
Absolute Delay	$\mu$ sec	-	2.81	-
Ultimate Attenuation	dB	50	53	-
Substrate Material	-	128-LiNbO <sub>3</sub>		
Temperature Coefficient	ppm/ $^{\circ}$ C	-72		

### Package Dimension



### Matching Configuration



L1=180nH, L2=150nH  
 Source / Load Impedance = 50Ω  
 Ambient Temperature = 25°C

11/30/2006

