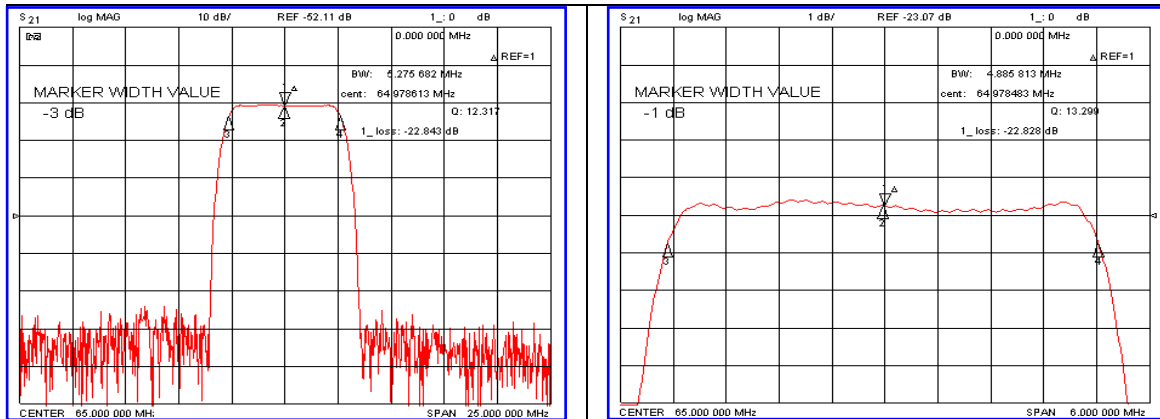


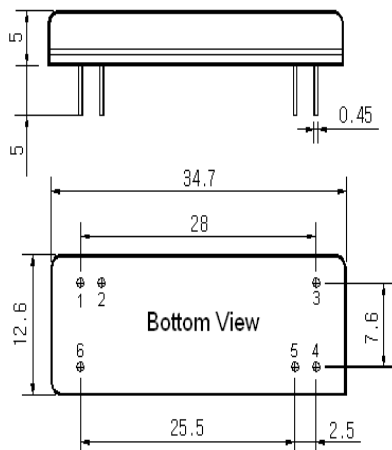
### Typical Performance



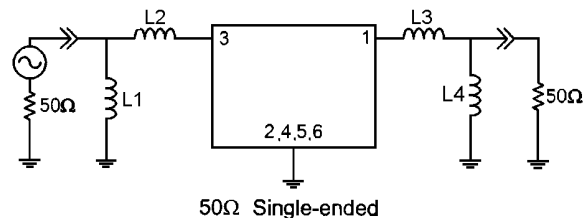
### Specification

Parameter	Unit	Min.	Typ.	Max.
Center Frequency	MHz	64.92	65.00	65.08
Insertion Loss	dB	-	22.84	25.00
1dB Bandwidth	MHz	-	4.88	-
3dB Bandwidth	MHz	5.00	5.27	-
40dB Bandwidth	MHz	-	6.83	7.00
Passband Ripple	dB	-	0.40	1.00
Group Delay Variation	nsec	-	50	100
Absolute Delay	μsec	-	2.91	3.00
Ultimate Attenuation	dB	50	55	-
Substrate Material	-	112-LiTaO <sub>3</sub>		
Temperature Coefficient	ppm/°C	-20		

### Package Dimension



### Matching Configuration



L1=L4=150nH, L2=L3=120nH  
 Source / Load Impedance = 50Ω  
 Ambient Temperature = 25°C

Rev0. 070807

