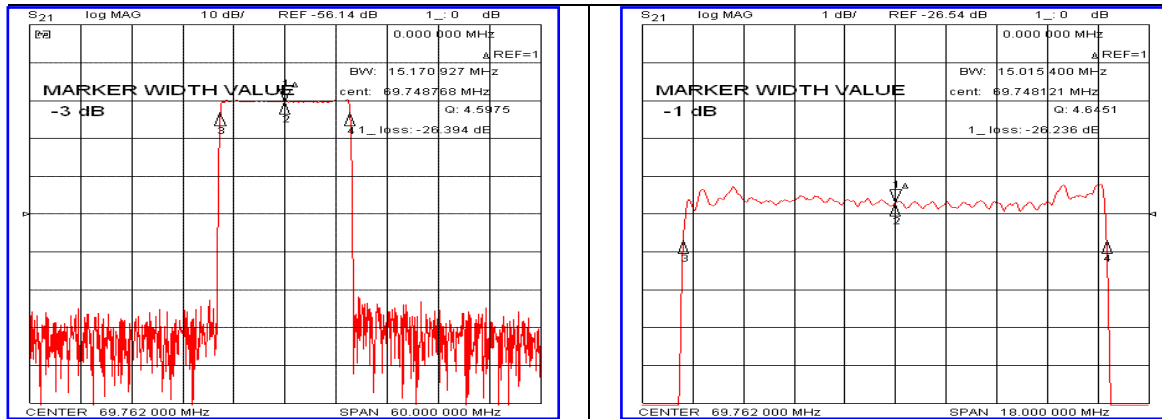


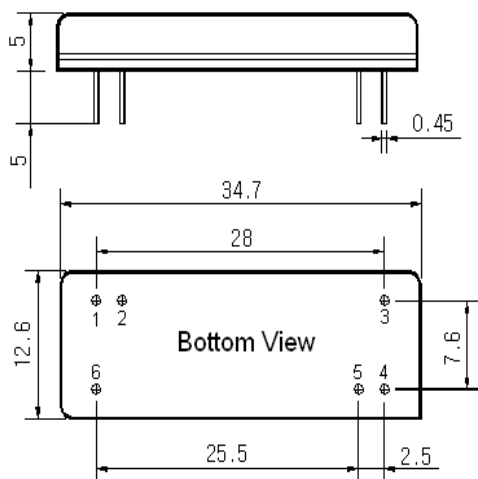
Typical Performance



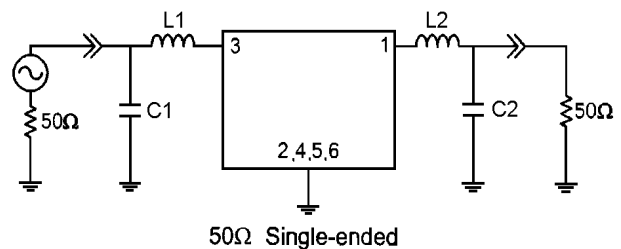
Specification

Parameter	Unit	Min.	Typ.	Max.
Center Frequency	MHz	69.682	69.762	69.822
Insertion Loss	dB	-	26.50	28.50
1dB Bandwidth	MHz	14.90	15.01	-
40dB Bandwidth	MHz	-	15.90	16.00
Passband Ripple( $F_c \pm 7.2375$ MHz)	dB	-	0.75	1.20
Relative Attenuation Fc+8.2375MHz Point	dB	48	50	-
Absolute Delay	usec	-	3.82	-
Ultimate Attenuation	dB	47	50	-
Substrate Material	-	128-LiNbO <sub>3</sub>		
Temperature Coefficient	ppm/°C	-72		

Package Dimension



Matching Configuration



L1=8.2nH, L2=100nH, C1=9pF, C2=4pF  
Source / Load Impedance = 50Ω  
Ambient Temperature = 25°C

Rev.0 121009

