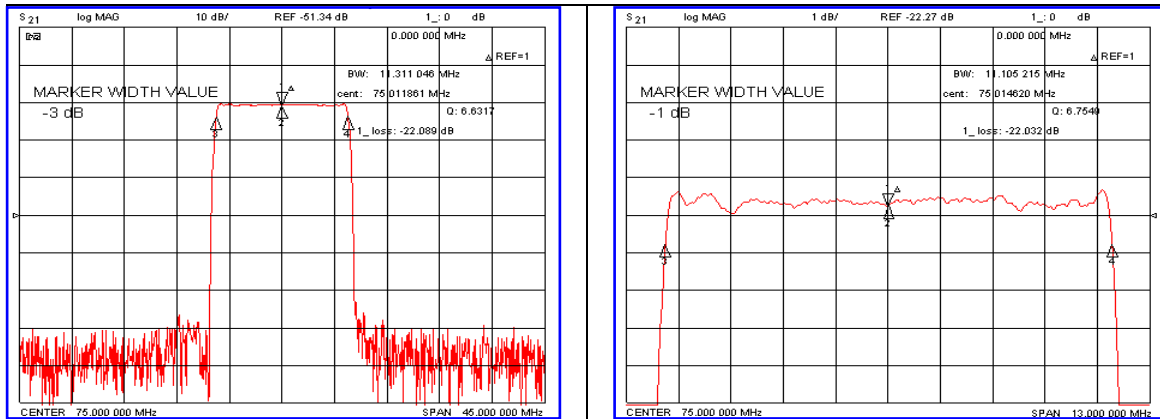


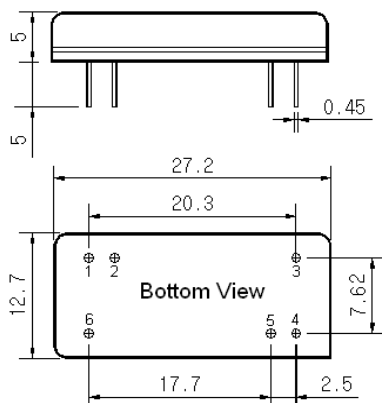
### Typical Performance



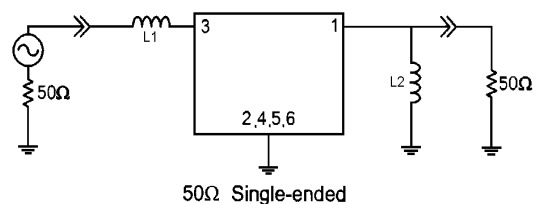
### Specification

Parameter	Unit	Min.	Typ.	Max.
Center Frequency	MHz	74.92	75.00	75.08
Insertion Loss	dB	-	22.08	25.00
1dB Bandwidth	MHz	-	11.10	-
3dB Bandwidth	MHz	11.20	11.31	-
25dB Bandwidth	MHz	-	12.05	12.10
35dB Bandwidth	MHz	-	12.20	-
Passband Ripple	dB	-	0.60	1.00
Group Delay Variation	nsec	-	50	100
Absolute Delay	μsec	-	3.02	-
Ultimate Attenuation	dB	50	55	-
Substrate Material	-	128-LiNbO <sub>3</sub>		
Temperature Coefficient	ppm/°C <sup>2</sup>	-72		

### Package Dimension



### Matching Configuration



L1=18nH, L2=180nH  
 Source / Load Impedance = 50Ω  
 Ambient Temperature = 25°C

Rev0. 070927

