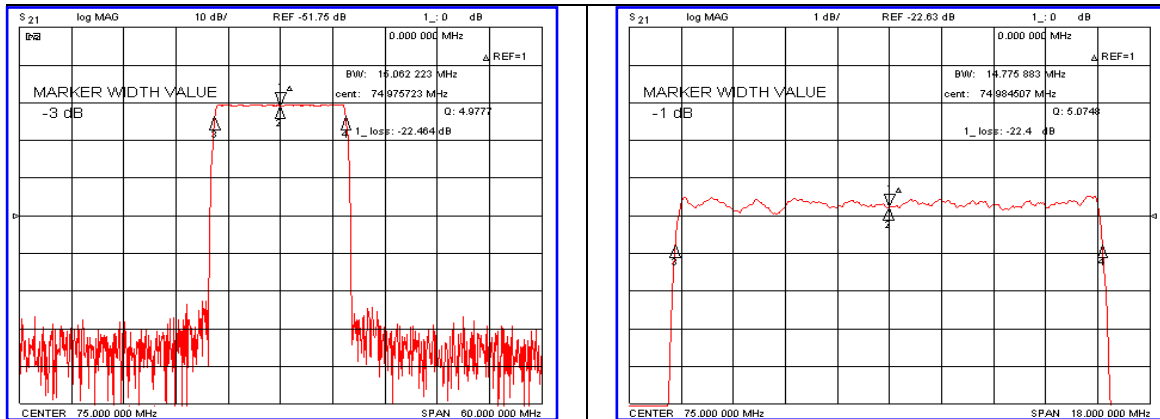


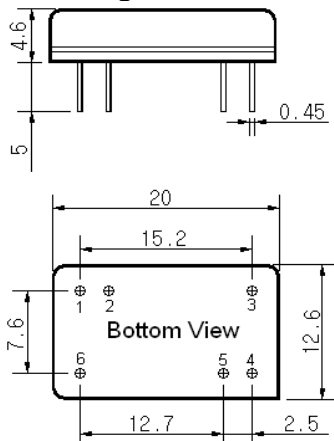
Typical Performance



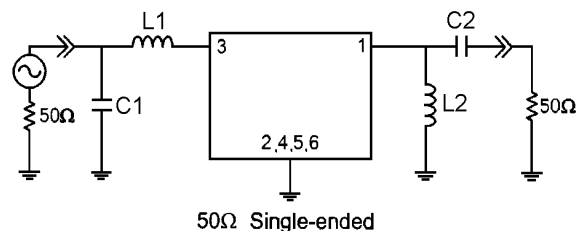
Specification

Parameter	Unit	Min.	Typ.	Max.
Center Frequency	MHz	74.92	75.00	75.08
Insertion Loss	dB	-	22.46	25.00
1dB Bandwidth	MHz	-	14.77	-
3dB Bandwidth	MHz	14.90	15.06	-
25dB Bandwidth	MHz	-	16.01	-
35dB Bandwidth	MHz	-	16.19	16.30
Passband Ripple	dB	-	0.50	1.00
Group Delay Variation	nsec	-	50	100
Absolute Delay	μsec	-	2.26	-
Ultimate Attenuation	dB	50	55	-
Substrate Material	-	128-LiNbO ₃		
Temperature Coefficient	ppm/°C	-72		

Package Dimension



Matching Configuration



L1=150nH, L2=120nH, C1=16pF, C2=75pF
 Source / Load Impedance = 50Ω
 Ambient Temperature = 25°C

Rev0. 070906

