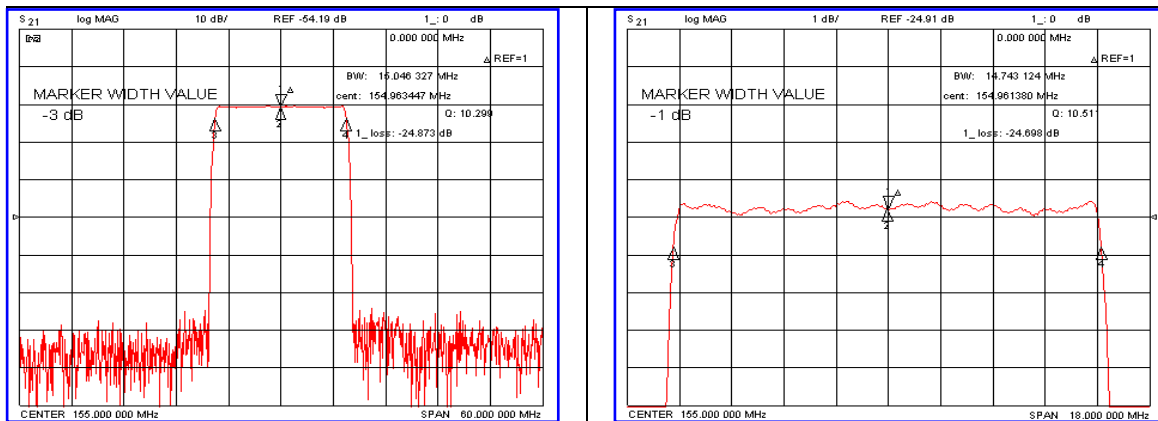


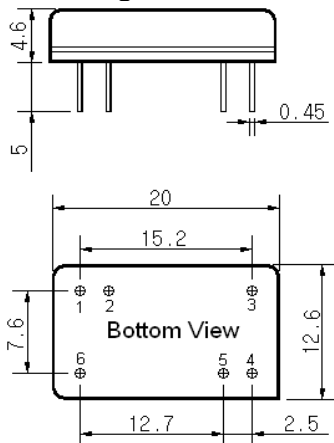
Typical Performance



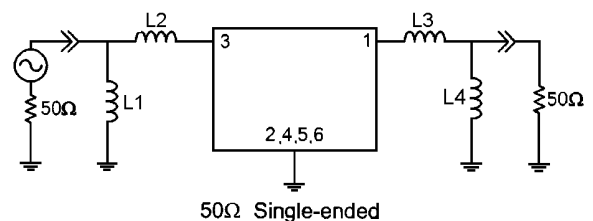
Specification

Parameter	Unit	Min.	Typ.	Max.
Center Frequency	MHz	154.90	155.00	155.10
Insertion Loss	dB	-	24.90	26.00
1dB Bandwidth	MHz	-	14.74	-
3dB Bandwidth	MHz	14.95	15.04	-
25dB Bandwidth	MHz	-	16.03	-
35dB Bandwidth	MHz	-	16.22	16.35
Passband Ripple	dB	-	0.40	1.00
Group Delay Variation	nsec	-	30	60
Absolute Delay	μsec	-	2.94	-
Ultimate Attenuation	dB	50	55	-
Substrate Material	-	112-LiTaO ₃		
Temperature Coefficient	ppm/°C	-20		

Package Dimension



Matching Configuration



L1=L4=22nH, L2=5.6nH, L3=8.2nH
 Source / Load Impedance = 50Ω
 Ambient Temperature = 25°C

Rev0. 070906

