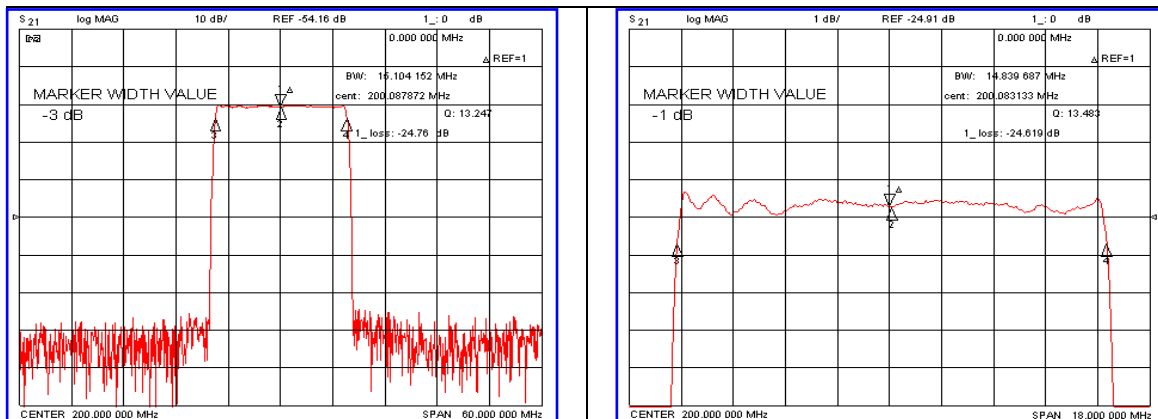


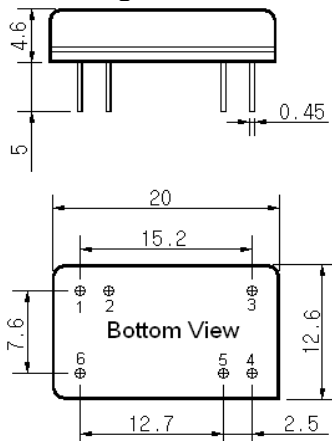
Typical Performance



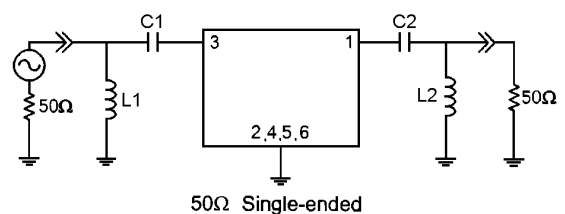
Specification

Parameter	Unit	Min.	Typ.	Max.
Center Frequency	MHz	199.85	200.00	200.15
Insertion Loss	dB	-	24.76	26.00
1dB Bandwidth	MHz	-	14.83	-
3dB Bandwidth	MHz	15.00	15.10	-
25dB Bandwidth	MHz	-	16.01	-
35dB Bandwidth	MHz	-	16.19	16.30
Passband Ripple	dB	-	0.65	1.00
Group Delay Variation	nsec	-	50	100
Absolute Delay	μsec	-	2.87	-
Ultimate Attenuation	dB	50	55	-
Substrate Material	-	112-LiTaO ₃		
Temperature Coefficient	ppm/°C	-20		

Package Dimension



Matching Configuration



L1=15nH, L2=18nH, C1=150pF, C2=110pF
 Source / Load Impedance = 50Ω
 Ambient Temperature = 25°C

Rev0. 070906

