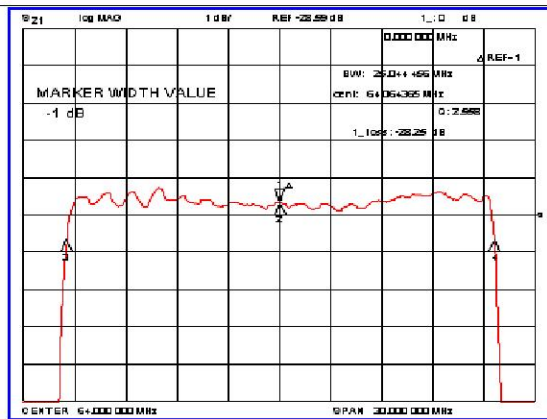
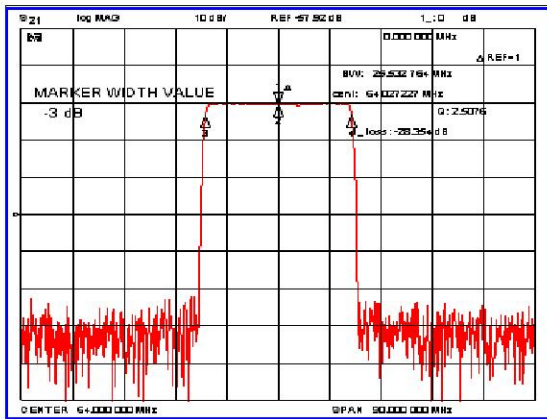


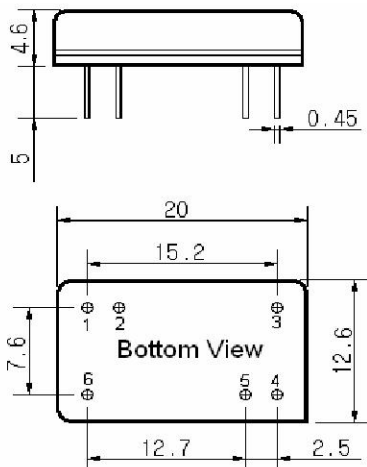
### Typical Performance



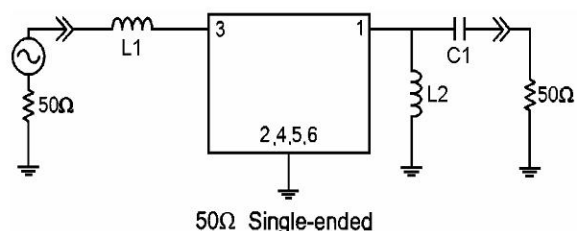
### Specification

Parameter	Unit	Min.	Typ.	Max.
Center Frequency	MHz	63.92	64.00	64.08
Insertion Loss	dB	-	28.35	29.50
1dB Bandwidth	MHz	24.90	25.04	-
3dB Bandwidth	MHz	-	25.53	-
40dB Bandwidth	MHz	-	27.42	27.50
Passband Ripple	dB	-	0.60	1.00
Group Delay Variation	nsec	-	25	50
Absolute Delay	µsec	-	1.82	-
Ultimate Attenuation	dB	50	52	-
Substrate Material	-	128-LiNbO <sub>3</sub>		
Temperature Coefficient	ppm/°C	-72		

### Package Dimension



### Matching Configuration



L1=180, L2=150nH, C1=39pF  
 Source / Load Impedance = 50Ω  
 Ambient Temperature = 25°C

Rev0. 080527

