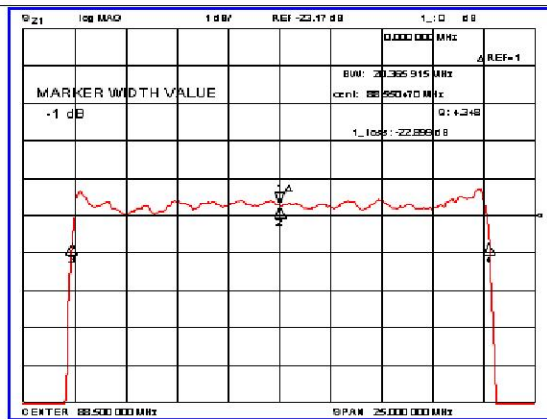
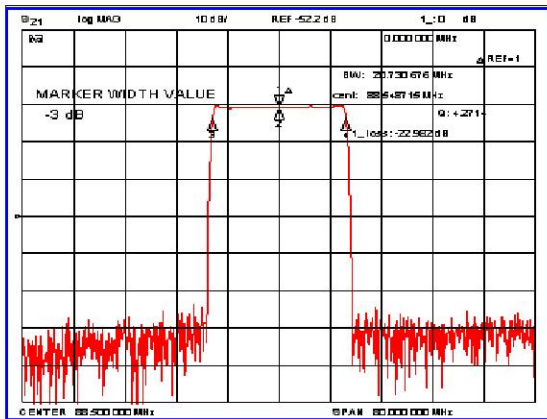


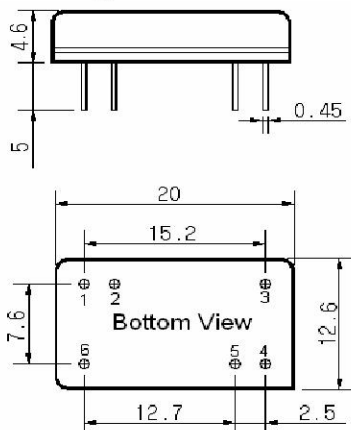
### Typical Performance



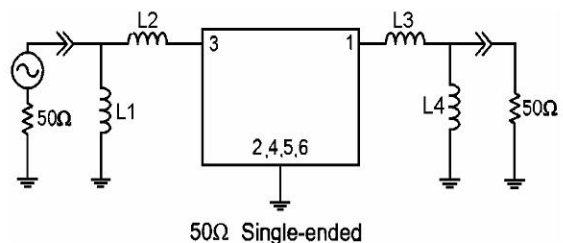
### Specification

| Parameter               | Unit   | Min.                   | Typ.  | Max.  |
|-------------------------|--------|------------------------|-------|-------|
| Center Frequency        | MHz    | 88.40                  | 88.50 | 88.60 |
| Insertion Loss          | dB     | -                      | 22.98 | 24.50 |
| 1dB Bandwidth           | MHz    | 20.25                  | 20.36 | -     |
| 3dB Bandwidth           | MHz    | -                      | 20.73 | -     |
| 40dB Bandwidth          | MHz    | -                      | 22.37 | 22.45 |
| Rejection point 100MHz  | dB     | 45                     | 50    | -     |
| Passband Ripple         | dB     | -                      | 0.68  | 1.00  |
| Group Delay Variation   | nsec   | -                      | 25    | 50    |
| Absolute Delay          | µsec   | -                      | 1.76  | -     |
| Ultimate Attenuation    | dB     | 50                     | 54    | -     |
| Substrate Material      | -      | 128-LiNbO <sub>3</sub> |       |       |
| Temperature Coefficient | ppm/°C | -72                    |       |       |

### Package Dimension



### Matching Configuration



L1=270nH, L2=47nH, L3=39nH, L4=220nH  
 Source / Load Impedance = 50Ω  
 Ambient Temperature = 25°C

Rev0. 080527

