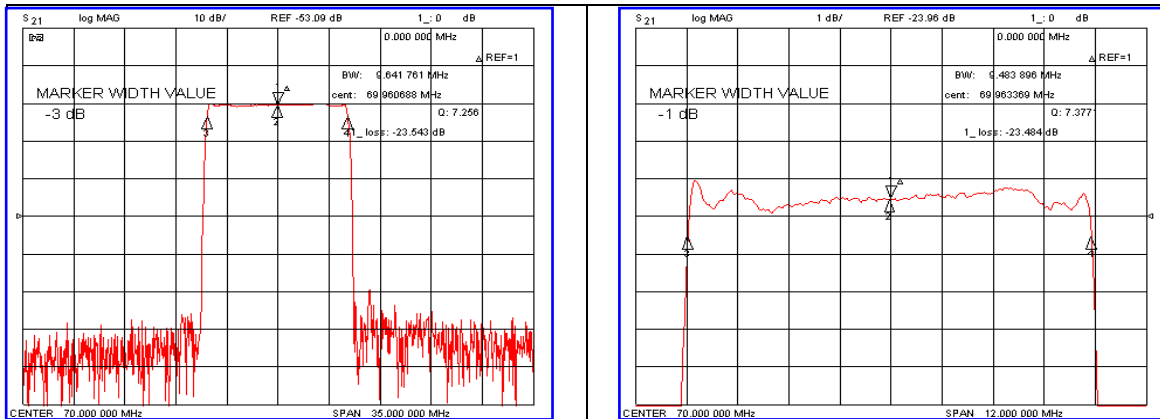


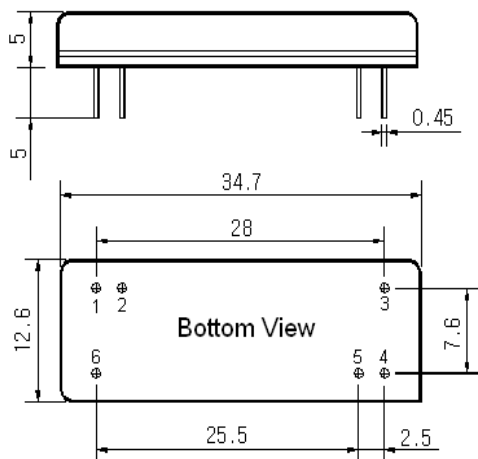
Typical Performance



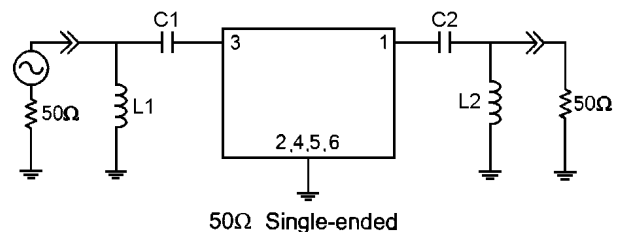
Specification

Parameter	Unit	Min.	Typ.	Max.
Center Frequency	MHz	-	70.00	-
Insertion Loss	dB	-	23.54	25.00
1dB Bandwidth	MHz	9.40	9.48	-
3dB Bandwidth	MHz	-	9.64	-
40dB Bandwidth	MHz	-	10.33	10.40
Passband Ripple($F_c \pm 4.5\text{MHz}$)	dB	-	0.70	1.00
Group Delay Variation($F_c \pm 4.5\text{MHz}$)	nsec	-	100	200
Absolute Delay	usec	-	4.03	-
Ultimate Attenuation	dB	-	50	-
Substrate Material	-	128-LiNbO ₃		
Temperature Coefficient	ppm/°C	-72		

Package Dimension



Matching Configuration



L1=150nH, L2=150nH, C1=150pF, C2=160pF
 Source / Load Impedance = 50Ω
 Ambient Temperature = 25°C

Rev.0 090319

