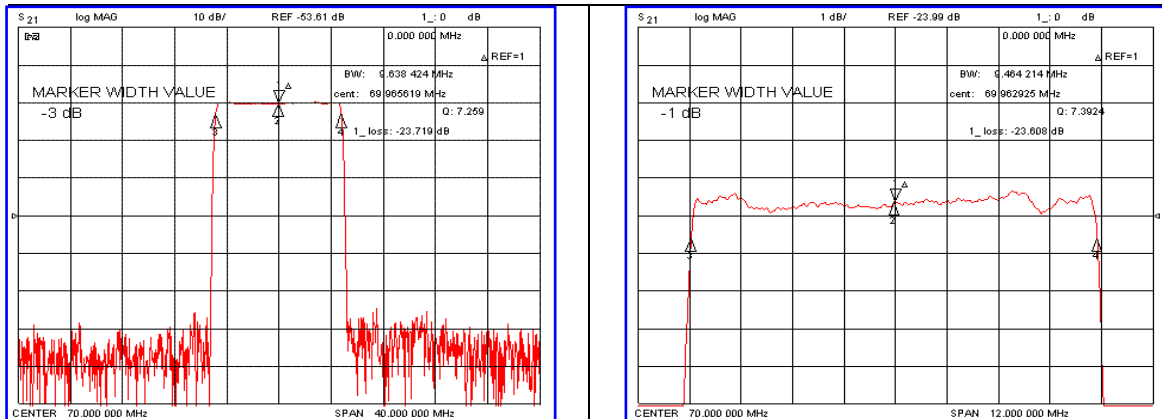


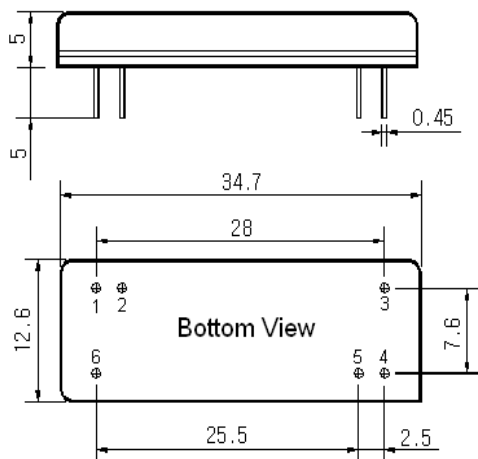
Typical Performance



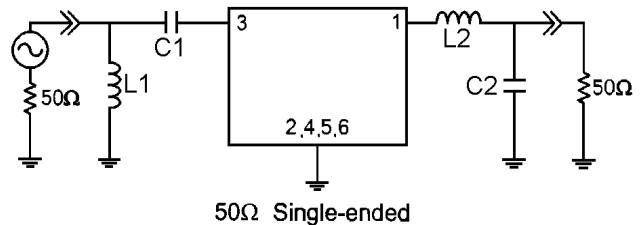
Specification

| Parameter | Unit | Min. | Typ. | Max. |
|--|--------|------------------------|-------|-------|
| Center Frequency | MHz | - | 70.00 | - |
| Insertion Loss | dB | - | 23.80 | 25.00 |
| 1dB Bandwidth | MHz | 9.40 | 9.46 | - |
| 3dB Bandwidth | MHz | - | 9.63 | - |
| 40dB Bandwidth | MHz | - | 10.32 | 10.40 |
| Passband Ripple($F_c \pm 4.5\text{MHz}$) | dB | - | 0.65 | 1.00 |
| Group Delay Variation($F_c \pm 4.5\text{MHz}$) | nsec | - | 70 | 150 |
| Absolute Delay | usec | - | 4.05 | - |
| Ultimate Attenuation | dB | 50 | 55 | - |
| Substrate Material | - | 128-LiNbO ₃ | | |
| Temperature Coefficient | ppm/°C | -72 | | |

Package Dimension



Matching Configuration



L1=270nH, L2=39nH, C1=180pF, C2=14pF
 Source / Load Impedance = 50Ω
 Ambient Temperature = 25°C

Rev.1 090903

