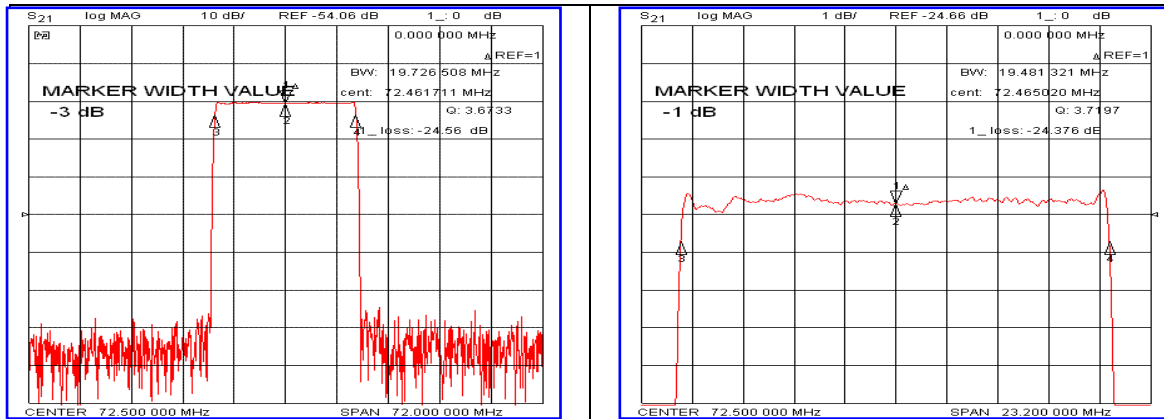


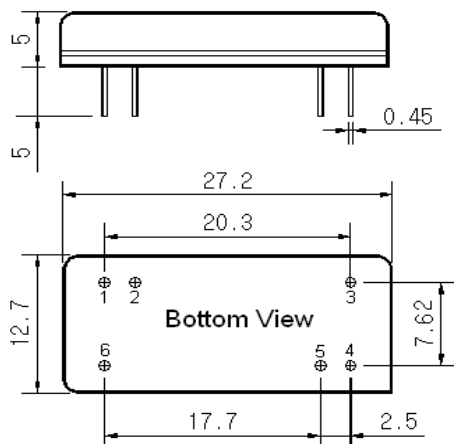
Typical Performance



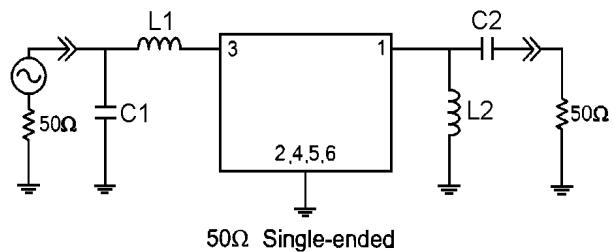
Specification

Parameter	Unit	Min.	Typ.	Max.
Center Frequency	MHz	-	72.50	-
Insertion Loss	dB	-	24.50	26.00
1dB Bandwidth	MHz	19.30	19.48	-
3dB Bandwidth	MHz	-	19.72	-
50dB Bandwidth	MHz	-	20.91	21.00
Passband Ripple(Fc ± 9.22MHz)	dB	-	0.60	1.00
Group Delay Variation(Fc ± 9.22MHz)	nsec	-	50	100
Absolute Delay	µsec	-	2.80	-
Ultimate Attenuation	dB	50	55	-
Substrate Material	-	128-LiNbO <sub>3</sub>		
Temperature Coefficient	ppm/°C	-72		

Package Dimension



Matching Configuration



L1=180nH, L2=100nH, C1=24pF, C2=47pF  
Source / Load Impedance = 50Ω  
Ambient Temperature = 25°C

Rev0. 101126

