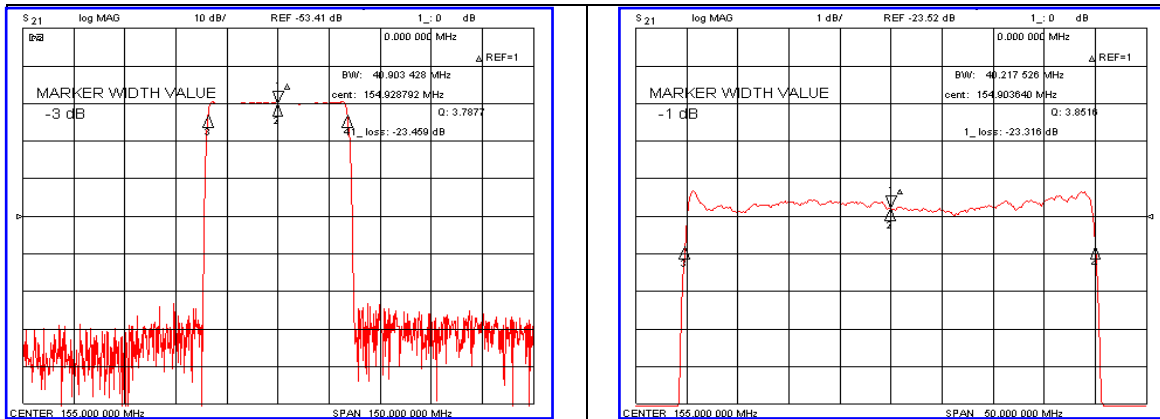


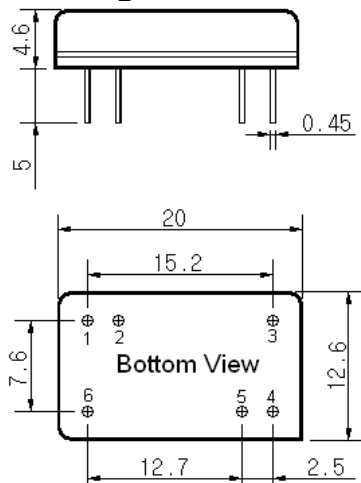
Typical Performance



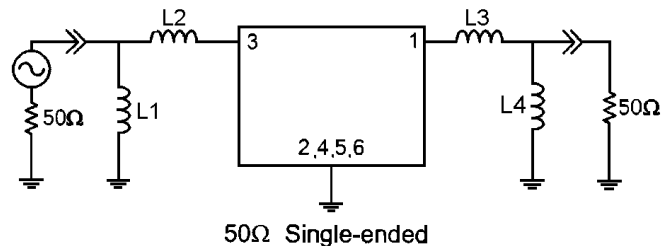
Specification

Parameter	Unit	Min.	Typ.	Max.
Center Frequency	MHz	154.85	155.00	155.15
Insertion Loss	dB	-	23.50	26.00
1dB Bandwidth	MHz	40.00	40.21	-
3dB Bandwidth	MHz	-	40.90	-
40dB Bandwidth	MHz	-	43.90	44.20
Passband Ripple	dB	-	0.67	1.00
Group Delay Variation	nsec	-	30	50
Absolute Delay	μsec	-	1.22	-
Ultimate Attenuation	dB	48	52	-
Substrate Material	-	128- LiNbO ₃		
Temperature Coefficient	ppm/°C	-72		

Package Dimension



Matching Configuration



L1=68nH, L2=15nH, L3=8.2nH, L4=82nH
 Source / Load Impedance = 50Ω
 Ambient Temperature = 25°C

Rev0. 090902

