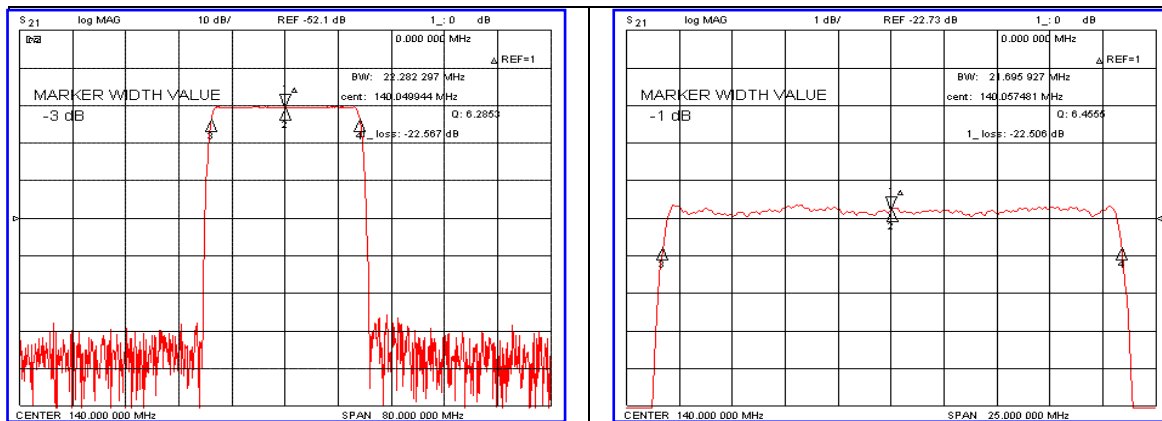


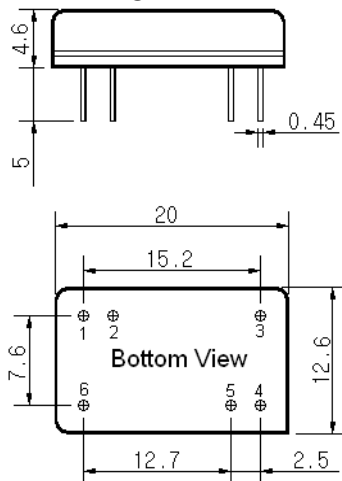
Typical Performance



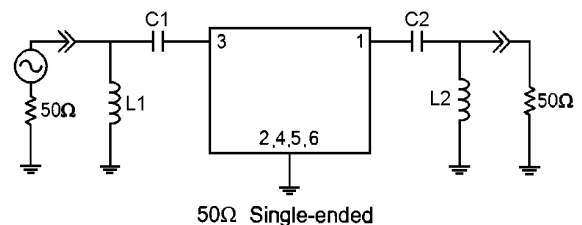
Specification

Parameter	Unit	Min.	Typ.	Max.
Center Frequency	MHz	139.80	140.00	140.20
Insertion Loss	dB	-	22.70	25.00
1dB Bandwidth	MHz	-	21.69	-
3dB Bandwidth	MHz	22.00	22.28	-
40dB Bandwidth	MHz	-	24.70	24.90
Passband Ripple	dB	-	0.40	1.00
Group Delay Variation	nsec	-	30	50
Absolute Delay	μsec	-	1.64	-
Ultimate Attenuation	dB	50	55	-
Substrate Material	-	128-LiNbO ₃		
Temperature Coefficient	ppm/°C	-72		

Package Dimension



Matching Configuration



L1=L2=82nH, C1=C2=160pF
 Source / Load Impedance = 50Ω
 Ambient Temperature = 25°C

Rev0. 071008

