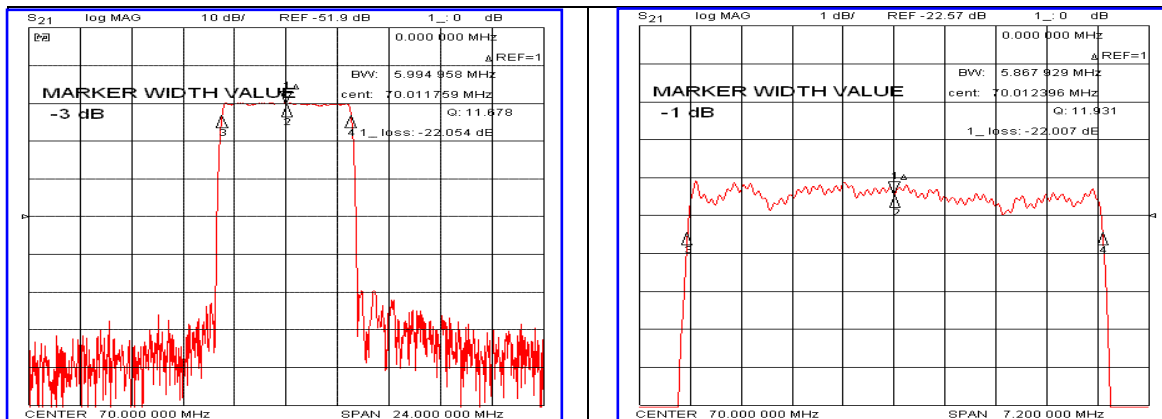


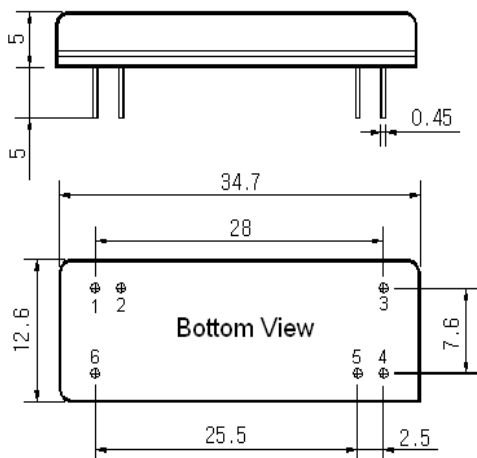
Typical Performance



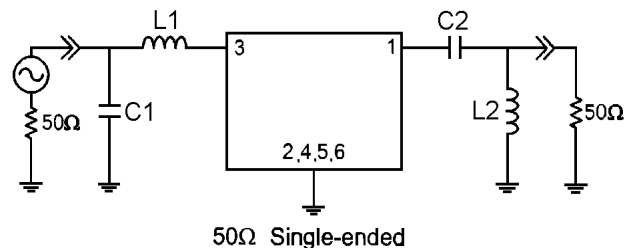
Specification

Parameter	Unit	Min.	Typ.	Max.
Center Frequency	MHz	69.90	70.00	70.10
Insertion Loss	dB	-	22.20	24.50
1dB Bandwidth	MHz	5.70	5.86	-
3dB Bandwidth	MHz	-	5.99	-
45dB Bandwidth	MHz	-	6.56	6.60
Passband Ripple	dB	-	0.90	1.20
Group Delay Variation	nsec	-	150	250
Absolute Delay	usec	-	4.56	-
Ultimate Attenuation	dB	45	50	-
Substrate Material	-	Yz-LiNbO ₃		
Temperature Coefficient	ppm/°C	-94		

Package Dimension



Matching Configuration



L1=220nH, L2=150nH, C1=4.3pF, C2=180pF
 Source / Load Impedance = 50Ω
 Ambient Temperature = 25°C

Rev.0 100918

