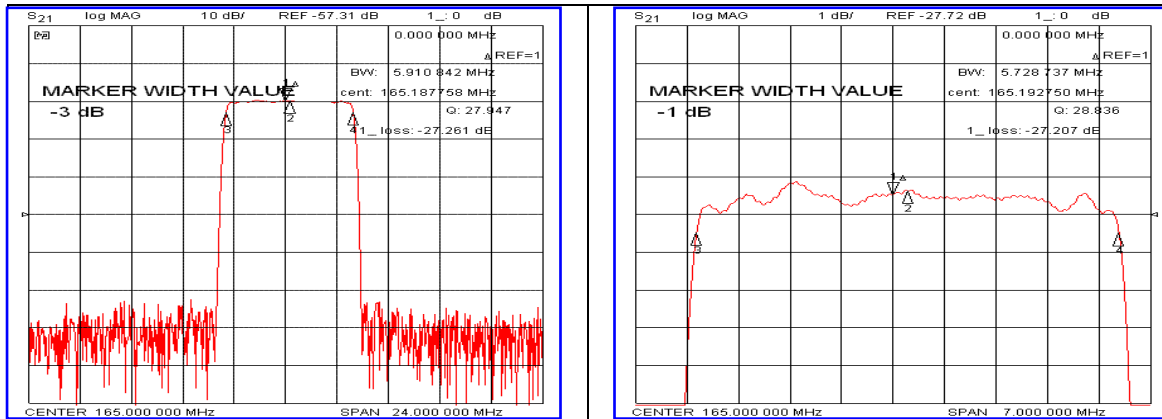


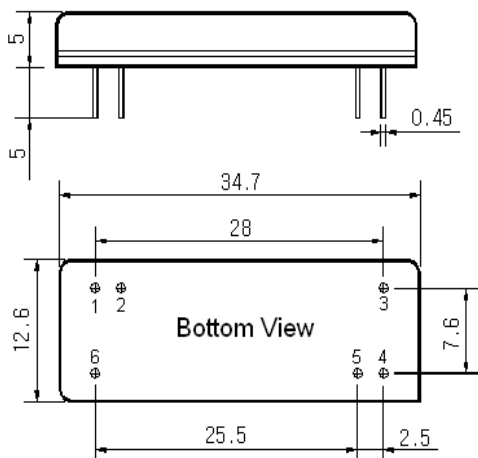
### Typical Performance



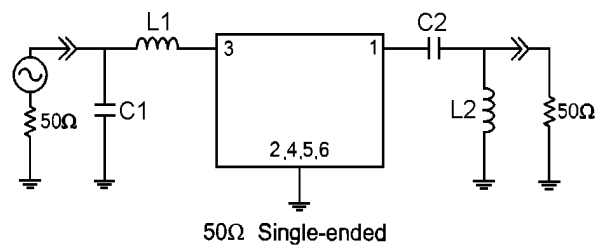
### Specification

Parameter	Unit	Min.	Typ.	Max.
Center Frequency	MHz	164.80	165.00	165.20
Insertion Loss	dB	-	27.50	29.00
1dB Bandwidth	MHz	5.60	5.72	-
3dB Bandwidth	MHz	-	5.91	-
45dB Bandwidth	MHz	-	6.66	6.70
Passband Ripple	dB	-	0.85	1.20
Group Delay Variation	nsec	-	100	200
Absolute Delay	usec	-	5.08	-
Ultimate Attenuation	dB	45	52	-
Substrate Material	-	112-LiTaO <sub>3</sub>		
Temperature Coefficient	ppm/°C	-20		

### Package Dimension



### Matching Configuration



L1=33nH, L2=68nH, C1=20pF, C2=75pF  
 Source / Load Impedance = 50Ω  
 Ambient Temperature = 25°C

Rev.0 100918

