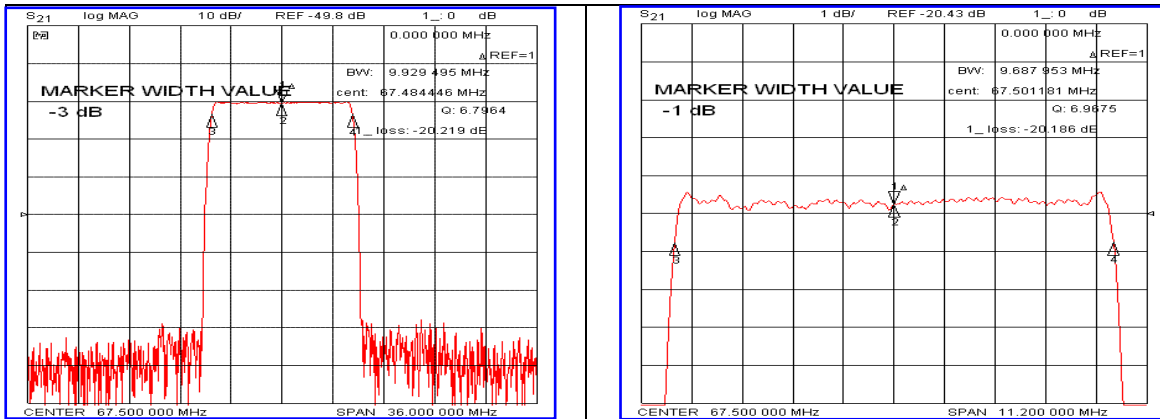


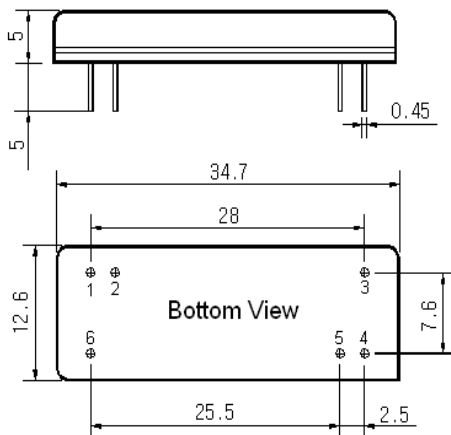
## Typical Performance



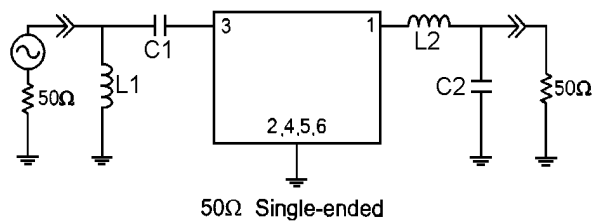
## Specification

Parameter	Unit	Min.	Typ.	Max.
Center Frequency	MHz	67.40	67.50	67.60
Insertion Loss	dB	-	20.50	22.50
1dB Bandwidth	MHz	9.50	9.68	-
20dB Bandwidth	MHz	-	10.65	-
40dB Bandwidth	MHz	-	11.00	11.10
50dB Bandwidth	MHz	-	11.10	-
Passband Ripple	dB	-	0.55	1.00
Relative Attenuation at 73.1MHz	dB	35	50	-
Absolute Delay	usec	-	2.73	-
Ultimate Attenuation	dB	50	55	-
Substrate Material	-	128-LiNbO <sub>3</sub>		
Temperature Coefficient	ppm/°C	-72		

## Package Dimension



## Matching Configuration



L1=270nH, L2=82nH, C1=220pF, C2=10pF  
 Source / Load Impedance = 50Ω  
 Ambient Temperature = 25°C

Rev.0 101124

