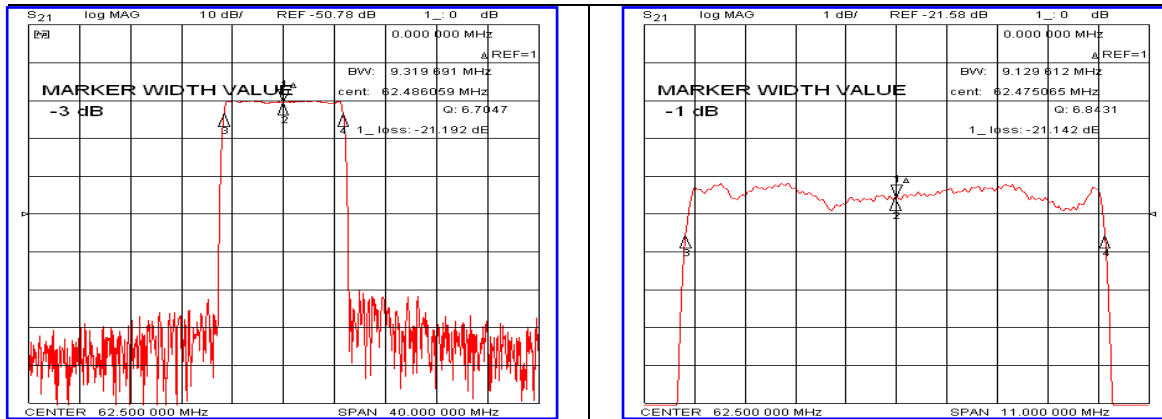


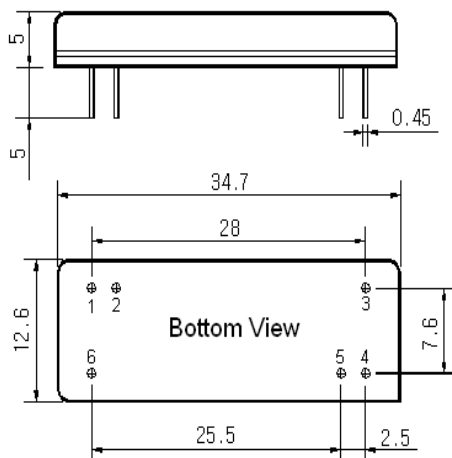
Typical Performance



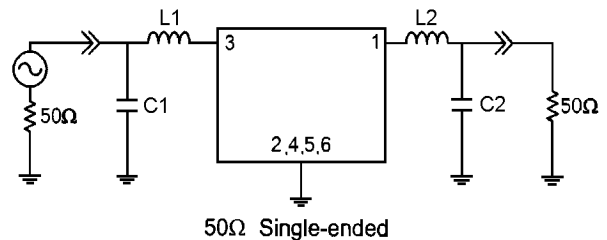
Specification

Parameter	Unit	Min.	Typ.	Max.
Center Frequency	MHz	62.40	62.50	62.60
Insertion Loss	dB	-	21.20	23.50
1dB Bandwidth	MHz	9.00	9.12	-
3dB Bandwidth	MHz	-	9.31	-
20dB Bandwidth	MHz	-	9.90	10.00
40dB Bandwidth	MHz	-	10.15	-
Passband Ripple	dB	-	0.75	1.30
Absolute Delay	usec	-	3.40	-
Ultimate Attenuation	dB	43	47	-
Substrate Material	-	Yz-LiNbO ₃		
Temperature Coefficient	ppm/°C	-94		

Package Dimension



Matching Configuration



L1=180nH, L2=100nH, C1=24pF, C2=4pF
 Source / Load Impedance = 50Ω
 Ambient Temperature = 25°C

Rev.0 120424

