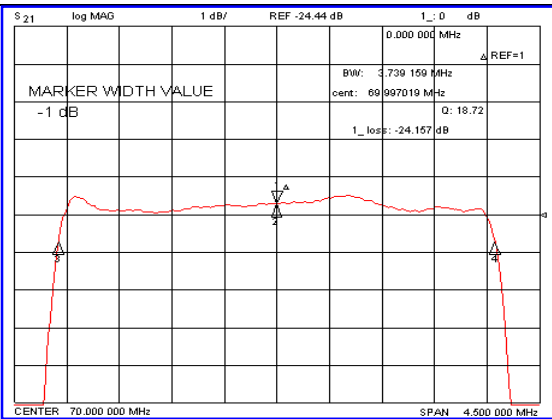
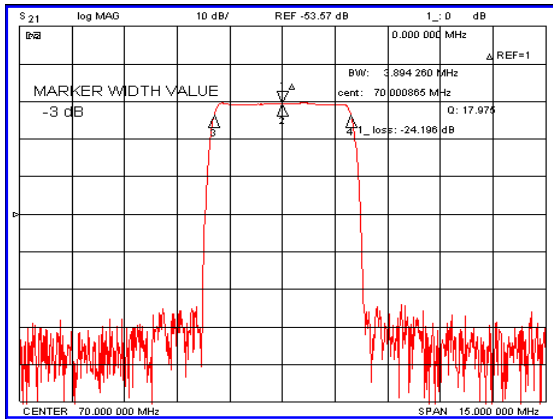


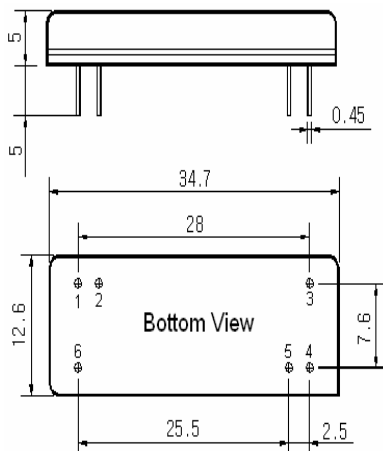
Typical Performance



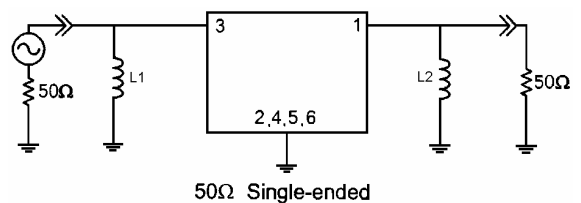
Specification

Parameter	Unit	Min.	Typ.	Max.
Center Frequency	MHz	69.92	70.00	70.08
Insertion Loss	dB	-	24.20	26.00
1dB Bandwidth	MHz	3.69	3.73	-
3dB Bandwidth	MHz	-	3.89	4.10
45dB Bandwidth	MHz	-	4.54	4.60
Passband Ripple	dB	-	0.50	1.00
Group Delay Variation	nsec	-	75	150
Absolute Delay	μsec	-	5.28	-
Ultimate Attenuation	dB	50	55	-
Substrate Material	-	112-LiTaO ₃		
Temperature Coefficient	ppm/°C	-20		

Package Dimension



Matching Configuration



L1=68nH, L2=82nH
 Source / Load Impedance = 50Ω
 Ambient Temperature = 25°C

Rev0. 071024

