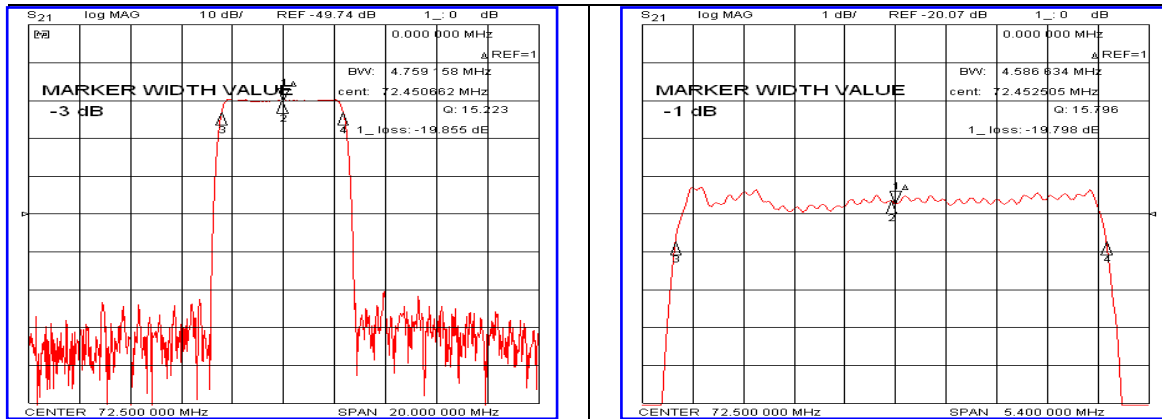


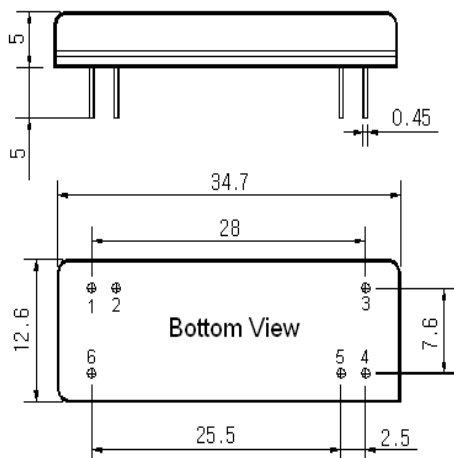
### Typical Performance



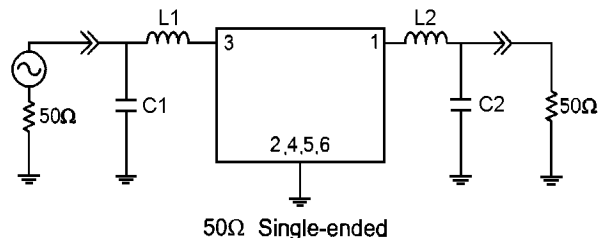
### Specification

| Parameter               | Unit   | Min.                  | Typ.  | Max.  |
|-------------------------|--------|-----------------------|-------|-------|
| Center Frequency        | MHz    | 72.40                 | 72.50 | 72.60 |
| Insertion Loss          | dB     | -                     | 20.00 | 22.00 |
| 1dB Bandwidth           | MHz    | 4.45                  | 4.58  | -     |
| 3dB Bandwidth           | MHz    | -                     | 4.75  | -     |
| 20dB Bandwidth          | MHz    | -                     | 5.30  | 5.40  |
| 40dB Bandwidth          | MHz    | -                     | 5.55  | -     |
| Passband Ripple         | dB     | -                     | 0.70  | 1.20  |
| Absolute Delay          | usec   | -                     | 3.50  | -     |
| Ultimate Attenuation    | dB     | 45                    | 50    | -     |
| Substrate Material      | -      | Yz-LiNbO <sub>3</sub> |       |       |
| Temperature Coefficient | ppm/°C | -94                   |       |       |

### Package Dimension



### Matching Configuration



L1=27nH, L2=18nH, C1=15pF, C2=18pF  
 Source / Load Impedance = 50Ω  
 Ambient Temperature = 25°C

Rev.0 120424

