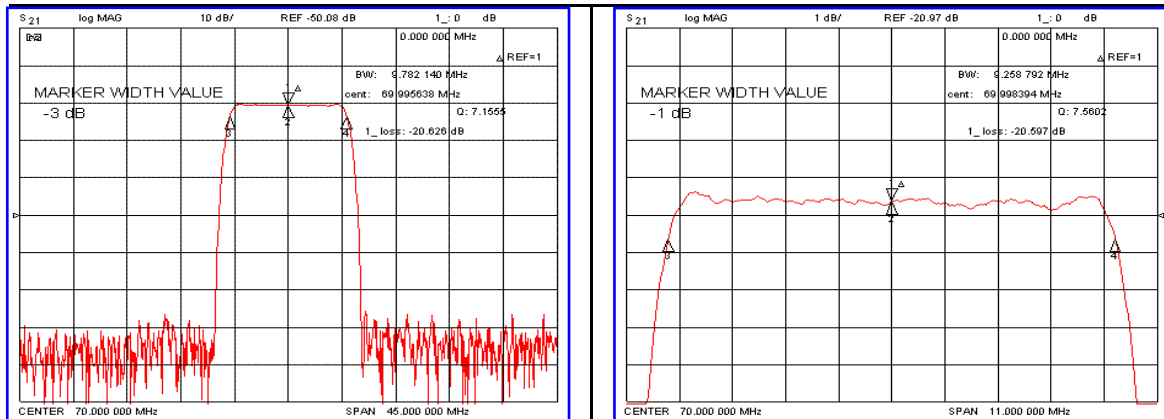


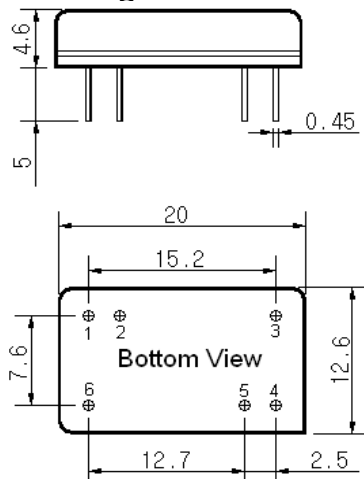
Typical Performance



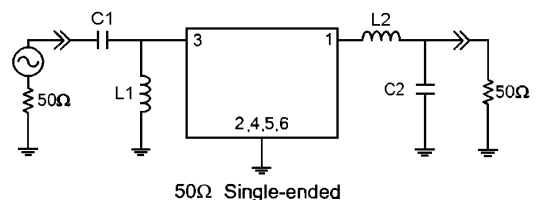
Specification

Parameter	Unit	Min.	Typ.	Max.
Center Frequency	MHz	69.92	70.00	70.08
Insertion Loss	dB	-	21.00	23.00
1dB Bandwidth	MHz	9.10	9.26	9.50
3dB Bandwidth	MHz	-	9.78	-
40dB Bandwidth	MHz	11.70	11.92	12.00
Passband Ripple	dB	-	0.60	1.00
Group Delay Variation	nsec	-	50	60
Absolute Delay	μsec	-	1.44	-
Ultimate Attenuation	dB	50	55	-
Substrate Material	-	128-LiNbO ₃		
Temperature Coefficient	ppm/°C	-72		

Package Dimension



Matching Configuration



L1=150nH, L2=82nH, C1=51pF, C2=22pF
 Source / Load Impedance = 50Ω
 Ambient Temperature = 25°C

Rev 0. 070227

