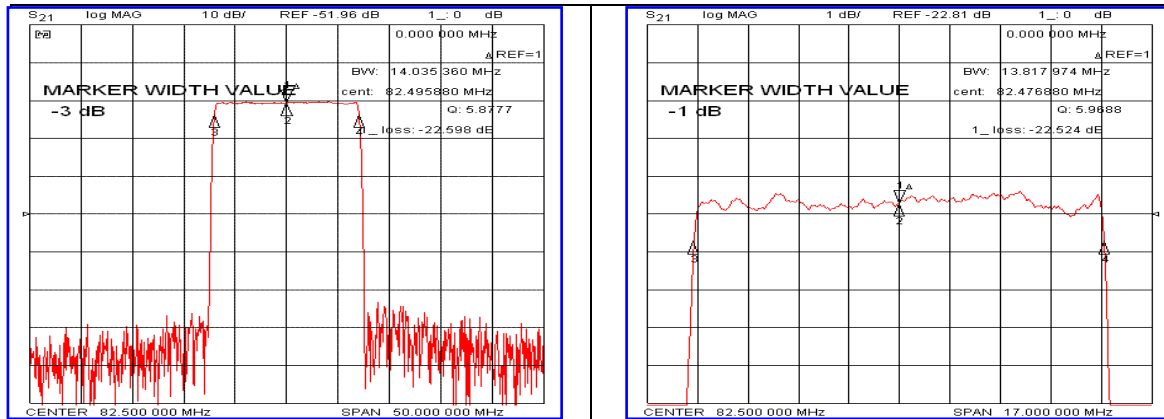


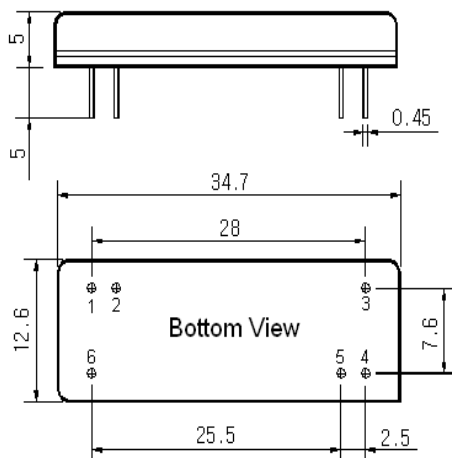
### Typical Performance



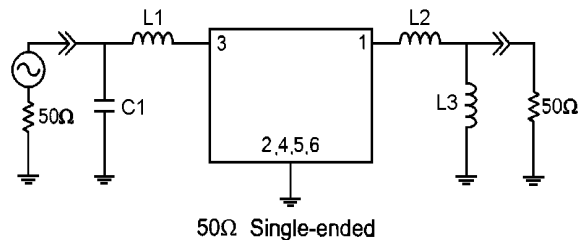
### Specification

Parameter	Unit	Min.	Typ.	Max.
Center Frequency	MHz	82.40	82.50	82.60
Insertion Loss	dB	-	22.60	24.50
1dB Bandwidth	MHz	13.70	13.81	-
3dB Bandwidth	MHz	-	14.03	-
20dB Bandwidth	MHz	-	14.66	14.75
40dB Bandwidth	MHz	-	14.95	-
Passband Ripple	dB	-	0.70	1.30
Absolute Delay	usec	-	3.42	-
Ultimate Attenuation	dB	45	50	-
Substrate Material	-	Yz-LiNbO <sub>3</sub>		
Temperature Coefficient	ppm/°C	-94		

### Package Dimension



### Matching Configuration



L1=100nH, L2=18nH, L3=150nH, C1=27pF  
 Source / Load Impedance = 50Ω  
 Ambient Temperature = 25°C

Rev.0 120424

