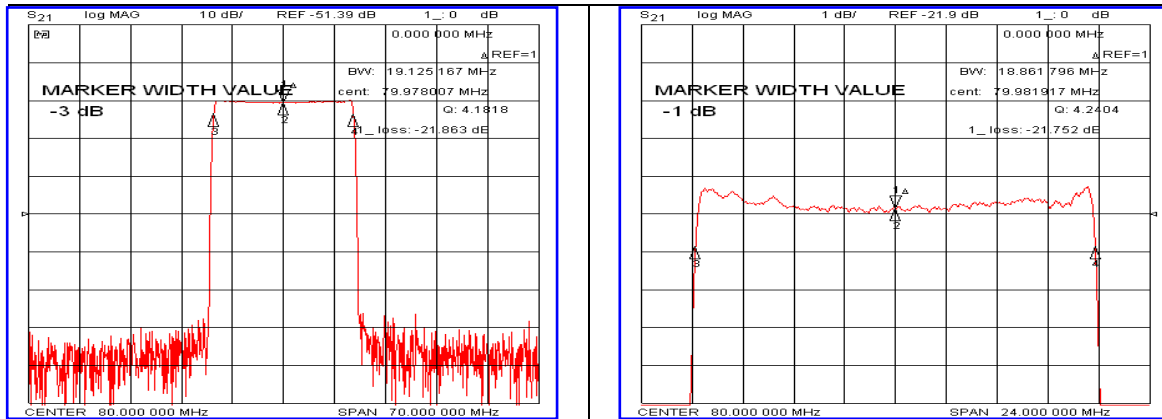


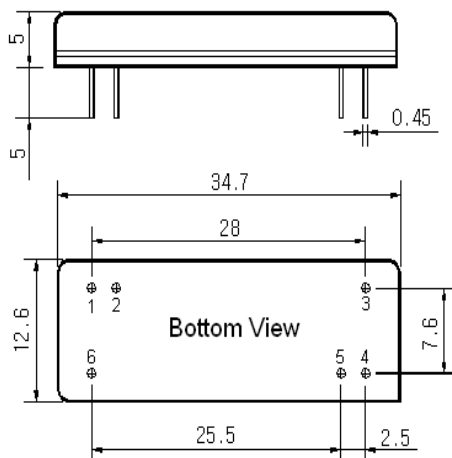
Typical Performance



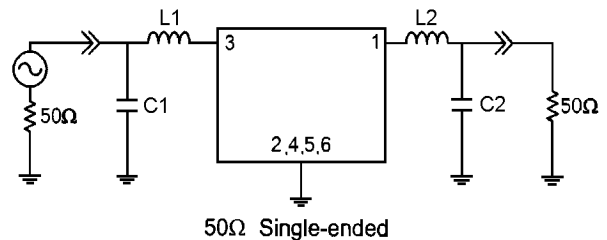
Specification

Parameter	Unit	Min.	Typ.	Max.
Center Frequency	MHz	79.90	80.00	80.10
Insertion Loss	dB	-	22.00	24.00
1dB Bandwidth	MHz	18.70	18.86	-
3dB Bandwidth	MHz	-	19.12	-
20dB Bandwidth	MHz	-	19.95	20.05
40dB Bandwidth	MHz	-	20.35	-
Passband Ripple	dB	-	0.65	1.20
Absolute Delay	usec	-	2.63	-
Ultimate Attenuation	dB	48	53	-
Substrate Material	-	128-LiNbO ₃		
Temperature Coefficient	ppm/°C	-72		

Package Dimension



Matching Configuration



L1=150nH, L2=100nH, C1=27pF, C2=16pF
 Source / Load Impedance = 50Ω
 Ambient Temperature = 25°C

Rev.0 120424

