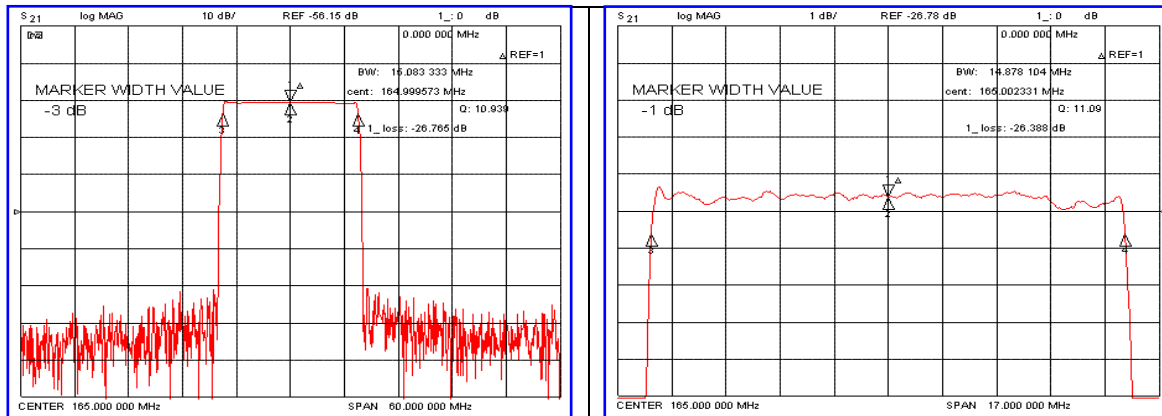


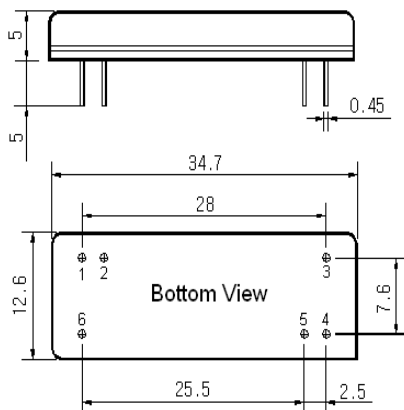
### Typical Performance



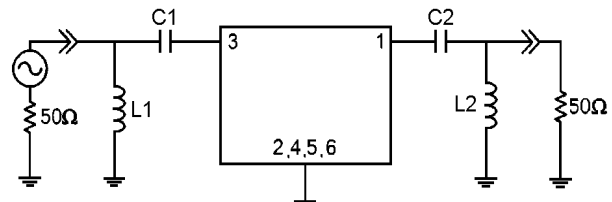
### Specification

Parameter	Unit	Min.	Typ.	Max.
Center Frequency	Mhz	164.85	165.00	165.15
Insertion Loss	dB	-	26.80	29.00
1dB Bandwidth	Mhz	14.70	14.87	-
3dB Bandwidth	Mhz	-	15.08	-
20dB Bandwidth	Mhz	-	15.69	-
30dB Bandwidth	Mhz	-	15.87	-
35dB Bandwidth	Mhz	-	15.93	-
45dB Bandwidth	Mhz	-	16.05	16.20
Passband Ripple	dB	-	0.60	1.00
Group Delay Variation	nsec	-	50	100
Absolute Delay	µsec	-	3.98	-
Ultimate Attenuation	dB	-	52	-
Substrate Material	-	112-LT		
Temperature Coefficient	ppm/°C	-20		

### Package Dimension



### Matching Configuration



50Ω Single-ended

L1=L2=22nH, C1=C2=220pF  
 Source / Load Impedance = 50Ω  
 Ambient Temperature = 25°C

Rev 0. 070406

