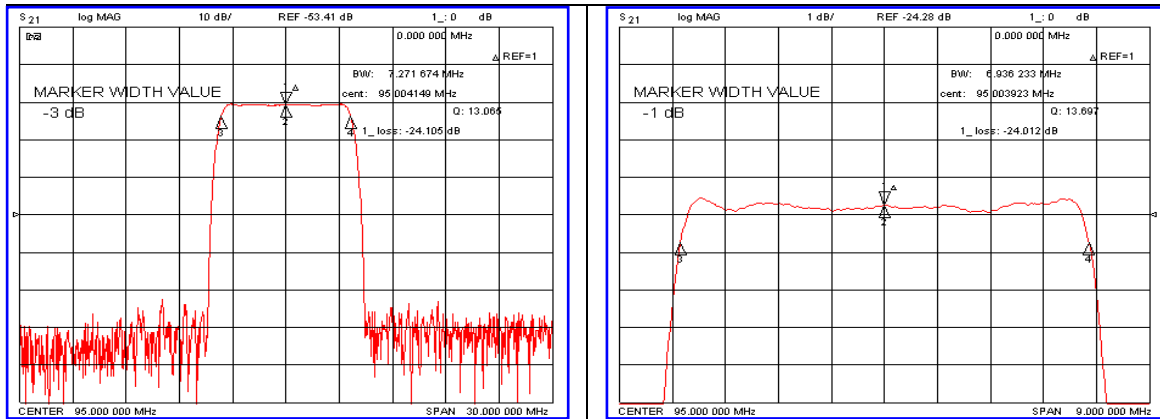


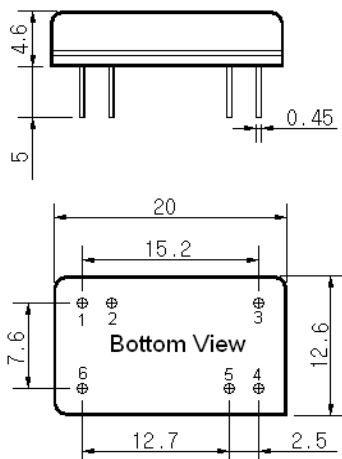
Typical Performance



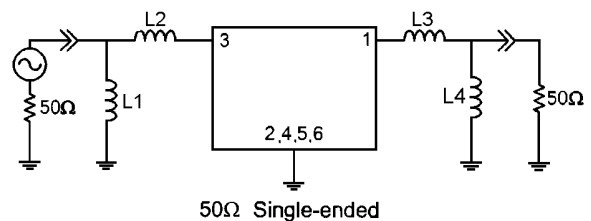
Specification

Parameter	Unit	Min.	Typ.	Max.
Center Frequency	MHz	94.90	95.00	95.10
Insertion Loss	dB	-	24.10	26.00
1dB Bandwidth	MHz	-	6.93	-
3dB Bandwidth	MHz	7.00	7.27	-
40dB Bandwidth	MHz	-	8.65	8.80
Passband Ripple	dB	-	0.45	1.00
Group Delay Variation	nsec	-	50	100
Absolute Delay	μsec	-	3.03	-
Ultimate Attenuation	dB	50	53	-
Substrate Material	-	112-LiTaO ₃		
Temperature Coefficient	ppm/°C ²	-20		

Package Dimension



Matching Configuration



L1=L4=82nH, L2=L3=15nH
 Source / Load Impedance = 50Ω
 Ambient Temperature = 25°C

Rev0.070711

