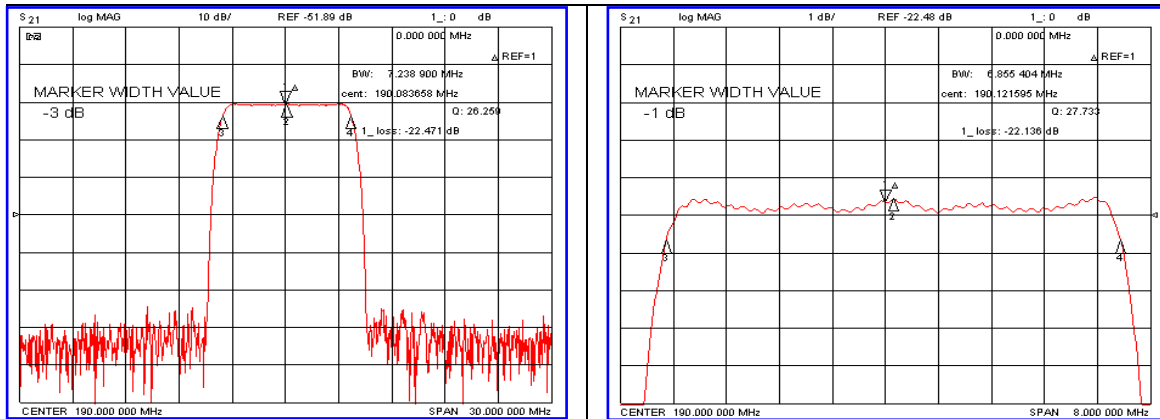


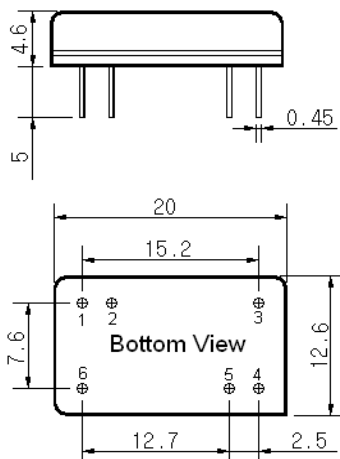
### Typical Performance



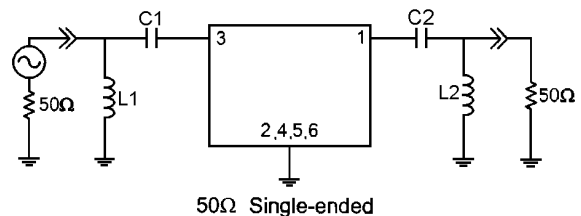
### Specification

Parameter	Unit	Min.	Typ.	Max.
Center Frequency	MHz	189.80	190.00	190.20
Insertion Loss	dB	-	22.50	25.00
1dB Bandwidth	MHz	-	6.85	-
3dB Bandwidth	MHz	7.00	7.23	-
40dB Bandwidth	MHz	-	8.77	8.90
Passband Ripple	dB	-	0.50	1.00
Group Delay Variation	nsec	-	100	200
Absolute Delay	µsec	-	2.64	-
Ultimate Attenuation	dB	50	53	-
Substrate Material	-	112-LiTaO <sub>3</sub>		
Temperature Coefficient	ppm/°C <sup>2</sup>	-20		

### Package Dimension



### Matching Configuration



L1=L2=22nH, C1=51pF, C2=47pF  
 Source / Load Impedance = 50Ω  
 Ambient Temperature = 25°C

Rev0. 070711

