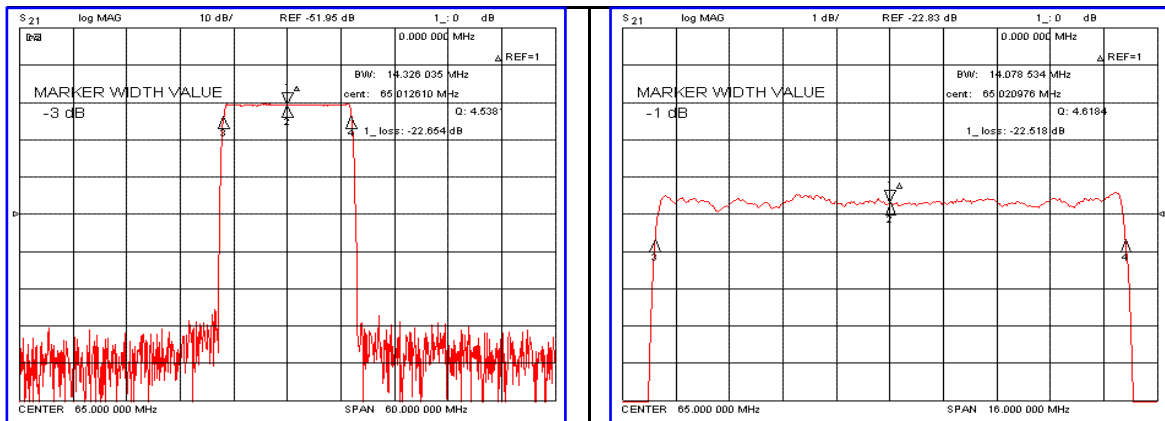


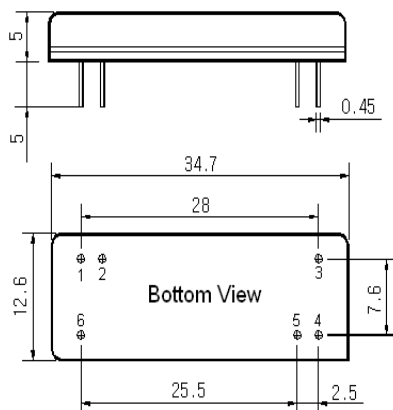
Typical Performance



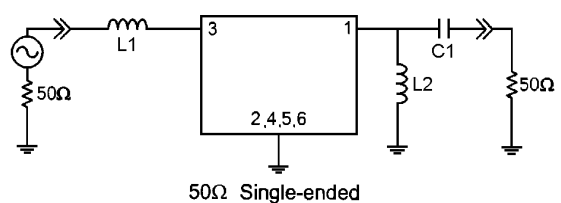
Specification

Parameter	Unit	Min.	Typ.	Max.
Center Frequency	MHz	64.90	65.00	65.10
Insertion Loss	dB	-	22.70	25.00
1dB Bandwidth	MHz	-	14.07	-
3dB Bandwidth	MHz	14.20	14.32	-
45dB Bandwidth	MHz	-	15.44	15.60
Passband Ripple	dB	-	0.55	1.00
Group Delay Variation	nsec	-	50	100
Absolute Delay	μsec	-	2.75	-
Ultimate Attenuation	dB	50	55	-
Substrate Material	-	128-LiNbO ₃		
Temperature Coefficient	ppm/°C	-72		

Package Dimension



Matching Configuration



L1=100H, L2=120nH, C1=62pF
 Source / Load Impedance = 50Ω
 Ambient Temperature = 25°C

