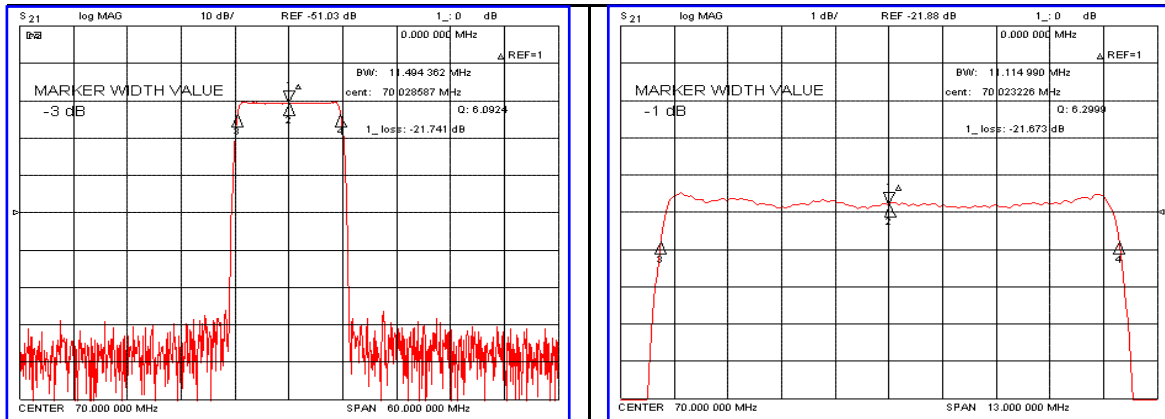


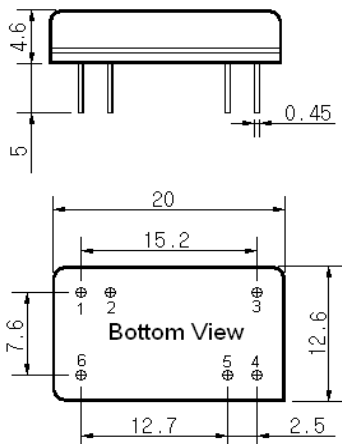
### Typical Performance



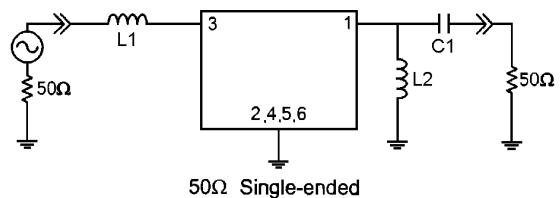
### Specification

Parameter	Unit	Min.	Typ.	Max.
Center Frequency	MHz	69.90	70.00	70.10
Insertion Loss	dB	-	22.00	24.00
1dB Bandwidth	MHz	-	11.11	-
3dB Bandwidth	MHz	11.20	11.49	-
45dB Bandwidth	MHz	-	13.15	13.40
Passband Ripple	dB	-	0.50	1.00
Group Delay Variation	nsec	-	50	100
Absolute Delay	μsec	-	2.04	-
Ultimate Attenuation	dB	50	55	-
Substrate Material	-	128-LiNbO <sub>3</sub>		
Temperature Coefficient	ppm/°C	-72		

### Package Dimension



### Matching Configuration



L1=100H, L2=120nH, C1=33pF  
 Source / Load Impedance = 50Ω  
 Ambient Temperature = 25°C

Rev 0. 061228

