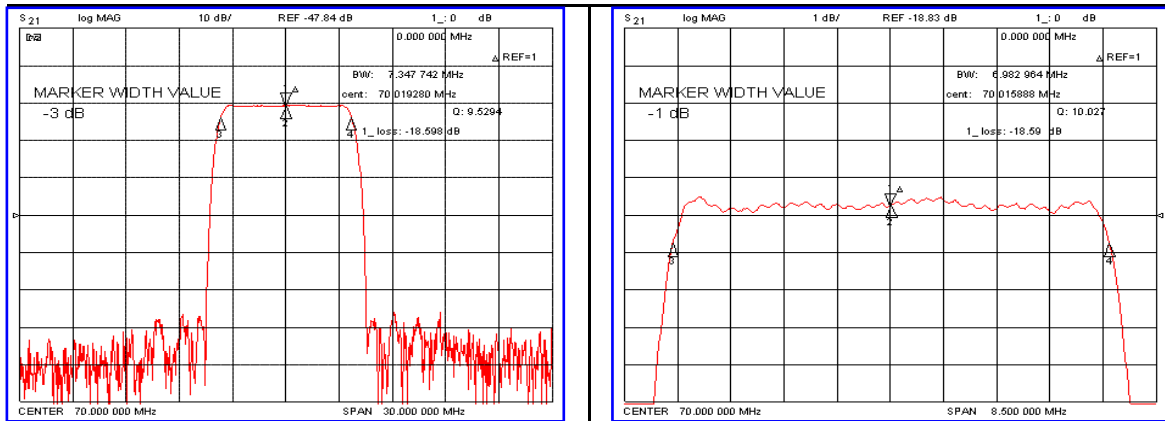


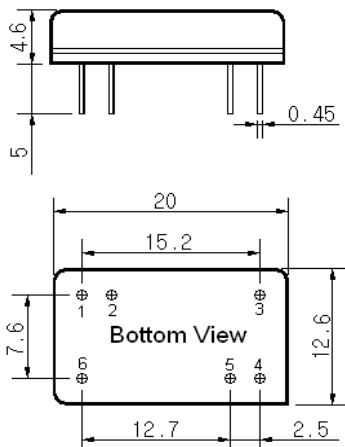
Typical Performance



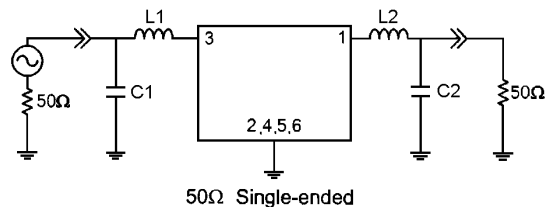
Specification

Parameter	Unit	Min.	Typ.	Max.
Center Frequency (Fc)	MHz	69.92	70.00	70.08
Insertion Loss	dB	-	18.80	21.00
1dB Bandwidth	MHz	-	6.98	-
3dB Bandwidth	MHz	7.10	7.34	-
45dB Bandwidth	MHz	-	8.90	9.00
Passband Ripple	dB	-	0.55	1.00
Group Delay Variation	nsec	-	100	200
Absolute Delay	μsec	-	2.08	-
Ultimate Attenuation	dB	50	55	-
Substrate Material	-	128-LiNbO ₃		
Temperature Coefficient	ppm/°C	-72		

Package Dimension



Matching Configuration



L1= L2=82nH, C1=C2=20pF,
 Source / Load Impedance = 50Ω
 Ambient Temperature = 25°C

11/08/2006

