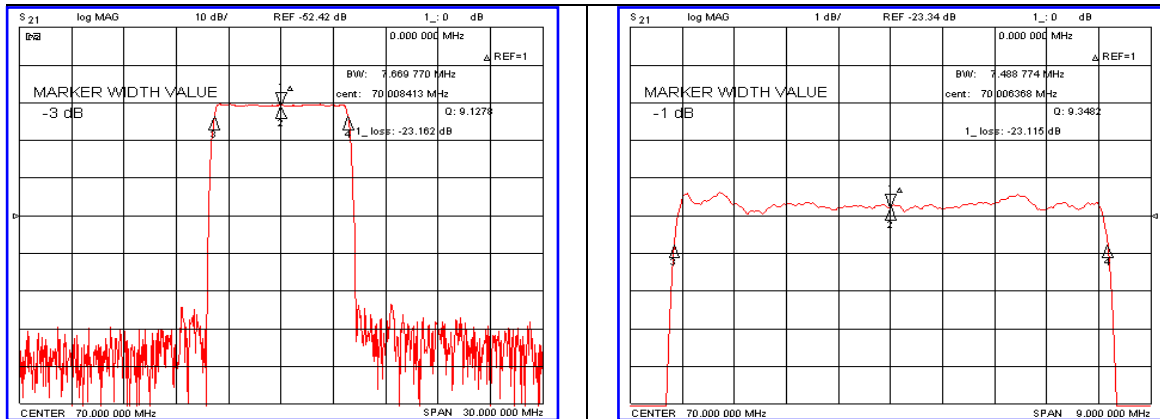


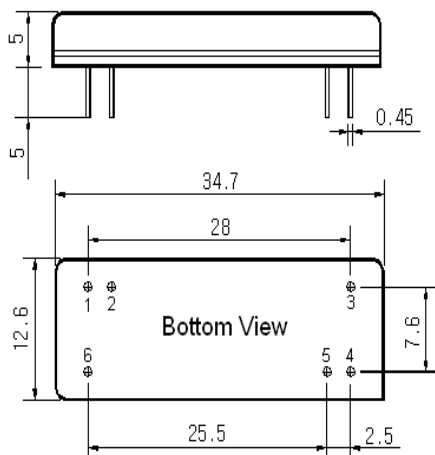
### Typical Performance



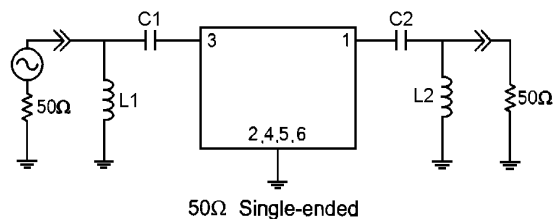
### Specification

Parameter	Unit	Min.	Typ.	Max.
Center Frequency	MHz	69.92	70.00	70.08
Insertion Loss	dB	-	23.16	25.00
1dB Bandwidth	MHz	7.20	7.48	-
3dB Bandwidth	MHz	-	7.66	-
45dB Bandwidth	MHz	-	8.46	8.70
Passband Ripple	dB	-	0.60	1.00
Group Delay Variation	nsec	-	100	200
Absolute Delay	µsec	-	3.66	-
Ultimate Attenuation	dB	50	53	-
Substrate Material	-	YZ-LiNbO <sub>3</sub>		
Temperature Coefficient	ppm/°C	-94		

### Package Dimension



### Matching Configuration



L1=L2=220nH, C1=C2=300pF  
 Source / Load Impedance = 50Ω  
 Ambient Temperature = 25°C

Rev0. 071129

