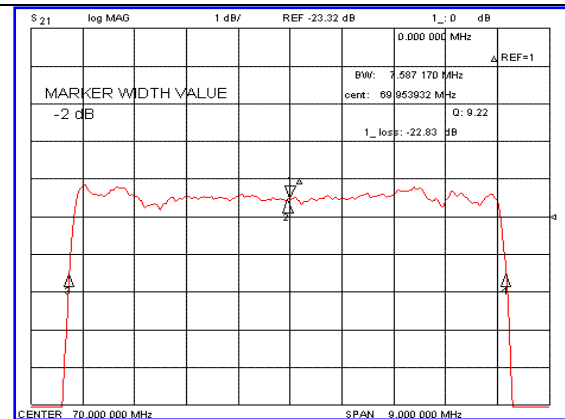
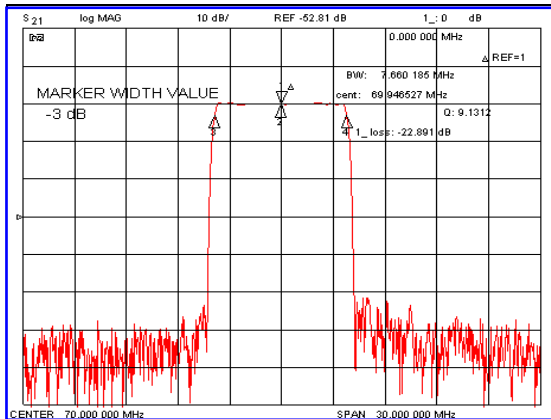


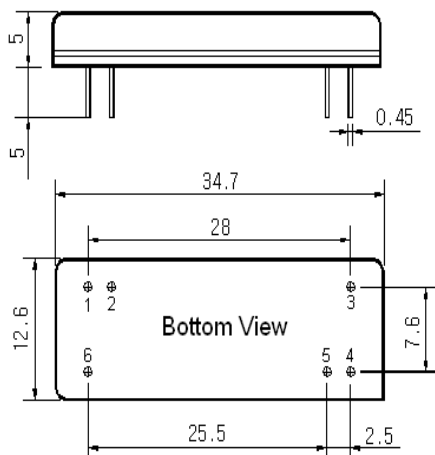
Typical Performance



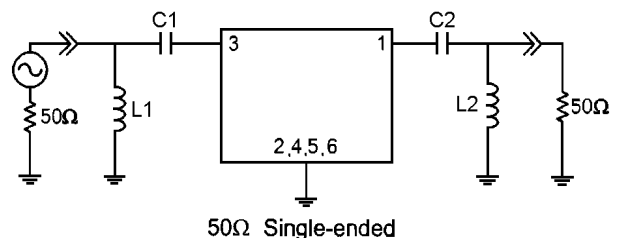
Specification

Parameter	Unit	Min.	Typ.	Max.
Center Frequency	MHz	69.92	70.00	70.08
Insertion Loss	dB	-	22.89	25.00
2dB Bandwidth	MHz	7.50	7.58	-
25dB Bandwidth	MHz	-	8.26	8.35
40dB Bandwidth	MHz	-	8.41	8.50
Passband Ripple	dB	-	0.60	1.00
Group Delay Variation	nsec	-	100	200
Absolute Delay	µsec	-	3.66	-
Ultimate Attenuation	dB	50	53	-
Substrate Material	-	YZ-LiNbO ₃		
Temperature Coefficient	ppm/°C	-94		

Package Dimension



Matching Configuration



L1=L2=220nH, C1=C2=300pF
 Source / Load Impedance = 50Ω
 Ambient Temperature = 25°C

Rev1. 090630

